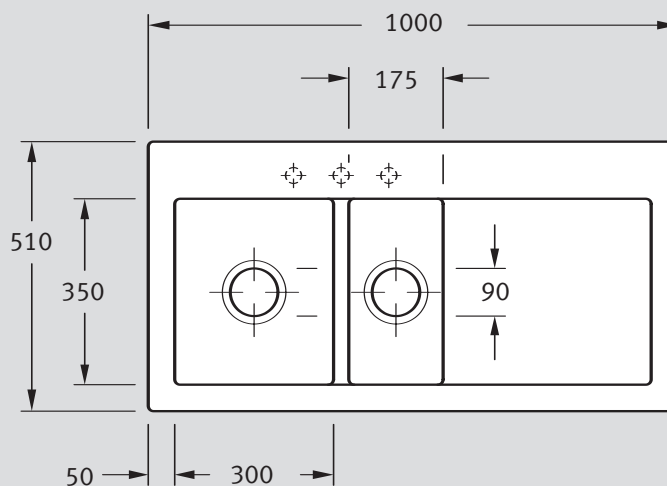


# Mythos MTK 651 Specifications

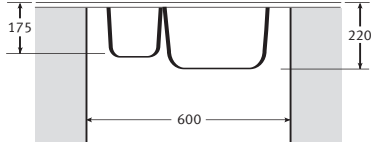
- Stylish modern minimalist design
- Angular radii
- 2 x 90mm Basket Strainer Wastes  
Capable of adaptation to take a Waste Disposal Unit.

**N.B.** Ceramic sinks may vary +/- 1% due to the firing process.

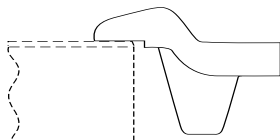


<b>Materials:</b>	Fireclay Ceramic
<b>Application:</b>	Inset
<b>Bowl size:</b>	300 x 350 x 200 175 x 350 x 155
<b>Drainer Format:</b>	Left or Right handed drainer available
<b>Cut-out size:</b>	970 x 480
<b>Colour:</b>	White or Black Chromite
<b>Seal:</b>	Utilise mastic sealant
<b>Insulation:</b>	Integral
<b>Heat resistance:</b>	Up to 1000°C
<b>Earthing Point:</b>	N/A

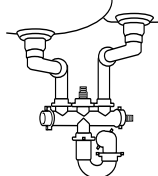
**Cabinet size:**



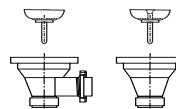
**Fixing Clips:** Utilise mastic



**Recommended Plumbing Kit:** 2 Part



**Waste:** 1 x Lira 90mm Basket<sup>†</sup> Strainer Waste with overflow  
1 x Lira 90mm Basket<sup>†</sup> Strainer Waste



**Overflow:**



<sup>†</sup>Titanium finish option available at extra cost

**Accessories:** None available

**Taps:** Any Franke tap can be utilised with this model\*.

\*Ceramic disc taps in certain installations or where there is a low head of water (below 4 metres) may not provide adequate flow rates. You are advised to check with your supplier.

**Guarantee:** Franke sinks are guaranteed for 25 years against manufacturing defect. Franke taps are guaranteed against defective materials and workmanship for 1 year in relation to coatings and finishes, and 5 years in relation to moving parts. Franke will replace (and where appropriate repair) defective sinks. In relation to taps, Franke will where appropriate provide replacement parts for your taps or replace your taps. Any associated or ancillary costs to be incurred by you as a result of replacement of Franke sinks and taps under this guarantee shall in all cases be previously approved by Franke UK Limited.

This guarantee is in addition to and does not affect your statutory rights.